

BELLA FIGURA

Facet Chandelier Rectangular

CL550-RECT

Collection Name

MAYFAIR COLLECTION

The Facet Rectangular chandelier beautifully contrasts the Facet Round chandelier and can be used over breakfast bars and dining room tables. Available in 3 metal finishes, this chandelier can be adapted to suit any design while still encompassing the intertwining lines and small bubbles that are naturally formed within ice, captured within the 'Dry Ice' finish of the Murano glass. This new chandelier is part of the 'Facet collection' designed in collaboration with Laura Hammett Interiors

Test Certification

IEC (International Electrotechnical Commission) test certificates available - will incur a surcharge

UL (Underwriters Laboratories) test certificates available for the USA - will incur a surcharge



CL550-Rectangular in 'dry ice' Murano glass and brushed dark bronze

Available Finishes

Metal Finishes



Brushed Nickel



Brushed Gold



Brushed Dark
Bronze

Murano Glass Colours



Dry Ice

Installation

Bella Figura do not supply ceiling hooks, screws or bolts for any of our chandeliers. A qualified fitter must assess the ceiling structure and provide the appropriate fixings based on the ceiling construction

Available Sizes

BELLA FIGURA

Size One

CL550-RECT-120

Height: 25 cm (9.84")

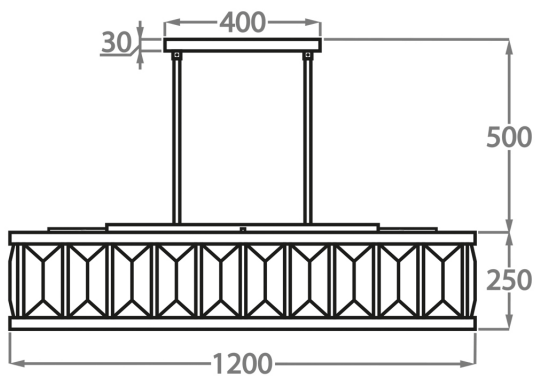
Width: 38 cm (14.96")

Length: 120 cm (47.24")

10 x 25W or LED 4W E12

Max watt and Lamps: 25W or LED 4W

Net Weight: 65 kg / 29.5 lb



The dimensions of the supporting rods and ceiling rose are not included in the height measurements.
The standard rods and ceiling rose are 50cm (20") high if not otherwise specified by the customer.

We recommend the use of LED bulbs with this chandelier for low energy consumption and long life.