

BELLA FIGURA

Facet Chandelier Round

CL550

Collection Name

MAYFAIR COLLECTION

Mimicking the weaving line patterns that naturally form within sheets of ice, the Dry Ice glass finish of this breath-taking Round chandelier brings elements of the natural world into any space, emitting a cool, soft light. The brushed dark bronze finish combines the nature-inspired design with rustic elements to form a beautiful and unique piece. This new chandelier is part of the 'Facet collection' designed by Laura Hammett Interiors

Test Certification

IEC (International Electrotechnical Commission) test certificates available - will incur a surcharge

UL (Underwriters Laboratories) test certificates available for the USA - will incur a surcharge



CL550 Round in 'dry ice' Murano glass and brushed dark bronze

Available Finishes

Metal Finishes



Brushed Nickel



Brushed Gold



Brushed Dark
Bronze

Murano Glass Colours



Dry Ice

Installation

Bella Figura do not supply ceiling hooks, screws or bolts for any of our chandeliers. A qualified fitter must assess the ceiling structure and provide the appropriate fixings based on the ceiling construction

Available Sizes

BELLA FIGURA

Size One

CL550-120

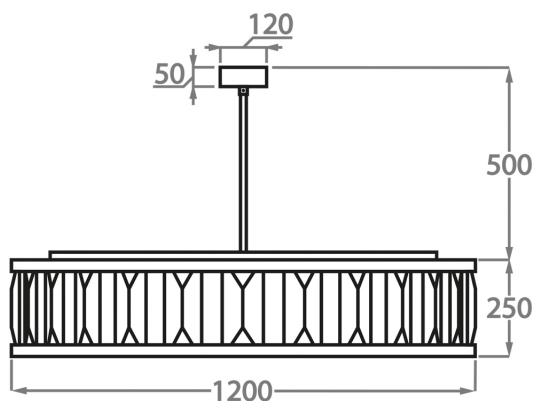
Height: 25 cm (9.84")

Diameter: 120 cm (47.24")

12 x 25W or LED 4W E14

Max watt and Lamps: 25W or LED 4W

Net Weight: 95 kg / 210 lb



The dimensions of the central supporting rod and ceiling rose are not included in the height measurements.
The standard rod and ceiling rose is 50cm (20") high if not otherwise specified by the customer.