

BELLA FIGURA

Amphora Lamp

TL824

Collection Name
VEGA COLLECTION

The Amphora table lamp pays homage to ancient civilisations who bestowed the names of their gods and goddesses on some of the celestial bodies we can witness with the naked eye. The naming of these astronomical discoveries gives them personified characteristics which in turn gave us inspiration for a number of the works included in this collection. An Amphora, chic and strong in silhouette, was often rewarded to victors in contests such as the Panathenaic games, thus the symbol of praise we chose to honour these ancient discoveries.

Required modifications for use on yachts - lacquer applied to all metal components, "sea rod" through centre to secure base to surfaces, with the cable exit through bottom of the base.



TL824 in Starry Sky and Polished Nickel with 13" Tall Drum Shade in James Hare Vienne Silk Chalk 31458/01

Compatible with



Yacht Club

Available Finishes

Ceramic Finish



Chalk



Crackle



Dapple Grey



Jasper

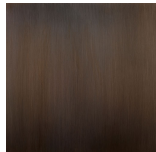


Starry Sky

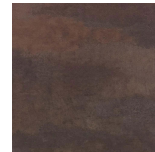


Tabasco

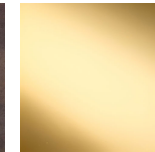
Neck and Bulb Holder



Bronze



Old English Brass



Polished Brass



Polished Nickel

Recommended Shade(s) (OPTIONAL)

13" Tall Drum

Silk Flex



Black



Cream



Brown



Silver

Available Sizes

Size One

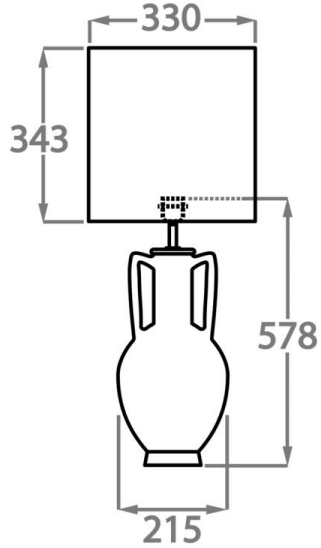
TL824,

Height: 57.8 cm (22.76")

Diameter: 21.5 cm (8.46")

Bulbs: 1 x 40W E27

Cable Exit: Bottom



Dimensions are measured from the base of the lamp to the middle of the bulb holder and are excluding shade.
Overall height with recommended 13" tall drum shade is 88.3cm - 34.8"