

BELLA FIGURA

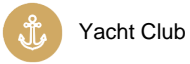
Amphora Lamp

TL824

Collection Name
VEGA COLLECTION

The Amphora table lamp pays homage to ancient civilisations who bestowed the names of their gods and goddesses on some of the celestial bodies we can witness with the naked eye. The naming of these astronomical discoveries gives them personified characteristics which in turn gave us inspiration for a number of the works included in this collection. An Amphora, chic and strong in silhouette, was often rewarded to victors in contests such as the Panathenaic games, thus the symbol of praise we chose to honour these ancient discoveries.

Compatible with



TL824 in Dapple Grey and Polished Nickel with 13" Tall Drum Shade in James Hare Vyne Silk Blanched Almond 31625/03

Available Finishes

Ceramic Finish

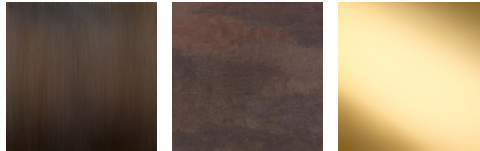


Chalk Crackle Dapple Grey



Jasper Starry Sky Tabasco

Neck and Bulb Holder



Bronze Old English Brass Polished Brass



Polished Nickel

Recommended Shade(s) (OPTIONAL)

13" Tall Drum

Silk Flex



Black Cream Brown



Silver

Available Sizes

Size One

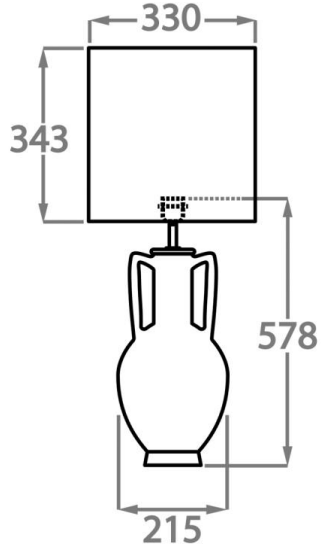
TL824,

Height: 57.8 cm (22.76")

Diameter: 21.5 cm (8.46")

Bulbs: 1 x 40W E27

Cable Exit: Bottom



Dimensions are measured from the base of the lamp to the middle of the bulb holder and are excluding shade.
Overall height with recommended 13" tall drum shade is 88.3cm - 34.8"