

# BELLA FIGURA

## Athena Lamp

TL823

Collection Name  
**VEGA COLLECTION**

An ode to the deity, Athena, a goddess of wisdom and craft. This contemporary model is styled on the traditional form of a Greek amphora with exaggerated, angular arms in stark contrast to its rounded body. Athena is an adaptable statement piece which possesses the ability to claim focus or quietly set the tone of its setting depending upon the selection of finishes.

Required modifications for use on yachts - lacquer applied to all metal components, "sea rod" through centre to secure base to surfaces, with the cable exit through bottom of the base.

### Compatible with



Yacht Club



TL823 in Chalk and Bronze with 12" Tall Drum Shade in Bennett's Dupion Silk Nightingale 5018W/116

### Available Finishes

#### Ceramic Finish

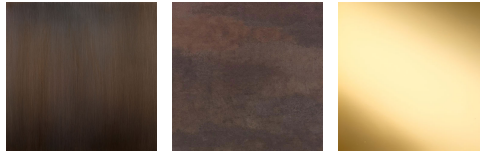


Chalk      Crackle      Jasper



Tabasco      Dapple Grey      Starry Sky

#### Neck and Bulb Holder



Bronze      Old English Brass      Polished Brass



Polished Nickel

#### Recommended Shade(s) (OPTIONAL)

12" Tall Drum

#### Silk Flex



Black      Cream      Brown



Silver

## Available Sizes

---

### Size One

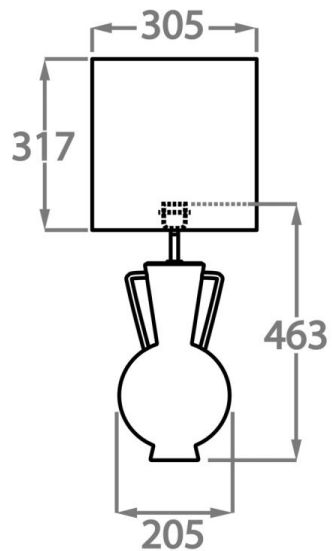
TL823,

Height: 46.3 cm (18.23")

Diameter: 20.5 cm (8.07")

Bulbs: 1 x 40W E27

Cable Exit: Bottom



Dimensions are measured from the base of the lamp to the middle of the bulb holder and are excluding shade.  
Overall height with recommended 12" tall drum shade is 74.2cm - 29.2"