

BELLA FIGURA

Bodice Lamp

TL663

Collection Name

MOONLIGHT COLLECTION

The Bodice table lamp is the English Rose of this latest collection; a feminine personality composed of elegance and beauty with an unmistakably graceful demeanour. This table lamp is comprised of a mouth blown body of glass and a solid, spun brass neck, both deftly crafted in the south of England.

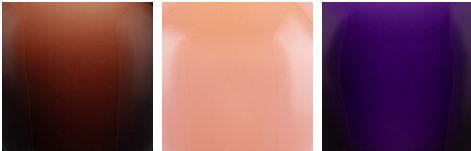
IMPORTANT NOTE - Raincloud, Mahogany, Nightwatch and Ballet glass finishes are currently only available as singles.



TL663 in Ink Glass and Polished Nickel with a 12" Oval Shade in James Hare
38000/64

Available Finishes

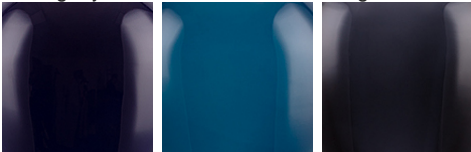
Glass Finish



Mahogany

Ballet

Indigo



Ink

Nightwatch

Storm

Neck and Bulb Holder



Polished Brass

Pewter

Polished Silver

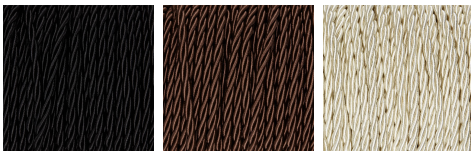


Antique Brass

Recommended Shade(s) (OPTIONAL)

12" Oval

Silk Flex



Black

Brown

Cream



Silver

Available Sizes

One size only

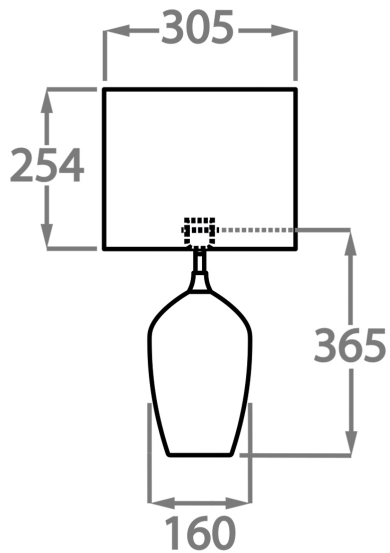
TL663,

Height: 36.5 cm (14.37")

Diameter: 16 cm (6.3")

Bulbs: 1 x 40W E27

Net Weight: 9 kg / 20 lb Cable Exit: Top



Dimensions are measured from the base of the lamp to the middle of the bulb holder and are excluding shade

Finish note: As these glass lamps are handmade by our artisans in England, they may vary slightly from piece to piece in dimension and appearance