

BELLA FIGURA

Bodice Lamp

TL663

Collection Name

MOONLIGHT COLLECTION

The Bodice table lamp is the English Rose of this latest collection; a feminine personality composed of elegance and beauty with an unmistakably graceful demeanour. This table lamp is comprised of a mouth blown body of glass and a solid, spun brass neck, both deftly crafted in the south of England.

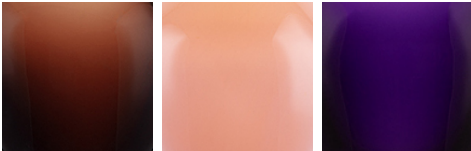
IMPORTANT NOTE - Raincloud, Mahogany, Nightwatch and Ballet glass finishes are currently only available as singles.



TL663 in Mahogany and Antique Brass with a 12" Oval Shade in James Hare in 38000/118 Snakeskin

Available Finishes

Glass Finish



Mahogany

Ballet

Indigo



Ink

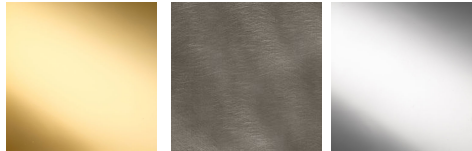
Nightwatch

Storm



Raincloud

Neck and Bulb Holder



Polished Brass

Pewter

Polished Silver



Antique Brass

Recommended Shade(s) (OPTIONAL)

12" Oval

Silk Flex



Black



Brown



Cream



Silver

Available Sizes

One size only

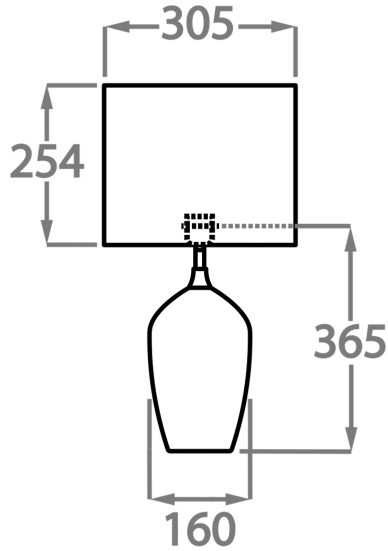
TL663,

Height: 36.5 cm (14.37")

Diameter: 16 cm (6.3")

Bulbs: 1 x 40W E27

Net Weight: 9 kg / 20 lb Cable Exit: Top



Dimensions are measured from the base of the lamp to the middle of the bulb holder and are excluding shade
The overall height with a 12" oval shade is 57cm

Finish note: As these glass lamps are handmade by our artisans in England, they may vary slightly from piece to piece in dimension and appearance