

BELLA FIGURA

Bolide Lamp

TL822

Collection Name
VEGA COLLECTION

Aster's bigger brother, Bolide, is a model conceptually based upon a giant meteor often seen as a fireball as it glides through the atmosphere like a missile. The core silhouette is decorated with rippling fins which offer subtle structure to an attractively organic form.

Required modifications for use on yachts - lacquer applied to all metal components, "sea rod" through centre to secure base to surfaces, with the cable exit through bottom of the base.

Compatible with



Yacht Club



TL822 in Jasper and Polished Nickel with 12" Tall Drum Shade in Bennett's Dupion Silk Nightingale 5018W/116

Available Finishes

Ceramic Finish

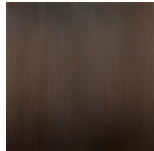


Chalk

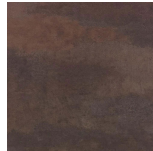


Jasper

Neck and Bulb Holder



Bronze



Old English
Brass



Polished Brass

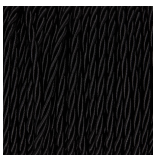


Polished Nickel

Recommended Shade(s) (OPTIONAL)

12" Tall Drum

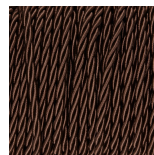
Silk Flex



Black



Cream



Brown



Silver

Available Sizes

Size One

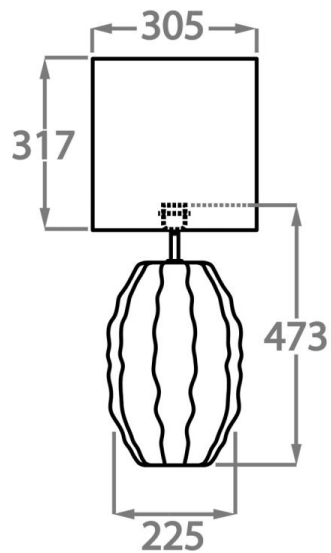
TL822,

Height: 47.3 cm (18.62")

Diameter: 22.5 cm (8.86")

Bulbs: 1 x 40W E27

Cable Exit: Bottom



Dimensions are measured from the base of the lamp to the middle of the bulb holder and are excluding shade.
Overall height with recommended 12" tall drum shade is 75.2cm - 29.6"