

BELLA FIGURA

Hyde Park Chandelier

CL100-5

Collection Name

MAYFAIR COLLECTION

The striking and unique drum shades of the Hyde Park chandelier are available in over 300+ silk colours, making this piece adaptable to any design. This ceiling light encapsulates the contemporary and elegant themes that are prominent throughout the Mayfair collection

Required modifications for use on yachts - lacquer applied to all metal components.

Test Certification

UL (Underwriters Laboratories) test certificates available for the USA - will incur a surcharge
IEC (International Electrotechnical Commission) test certificates available - will incur a surcharge
Suitable for Yachts - Rod and bolting available for use on yachts

Compatible with



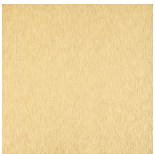
Yacht Club



CL100-5 in Brushed Dark Bronze with 16" Shades in COM Fabric 'Idrios Patina' from Romo and 1806W Timber Wolf

Available Finishes

Metal Finish



Brushed Gold



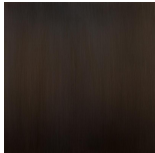
Brushed Nickel



Polished Gold



Polished Nickel



Bronze



Brushed Dark Bronze

Recommended Shade(s) (OPTIONAL)

16" Drum

Available Sizes

3 Light

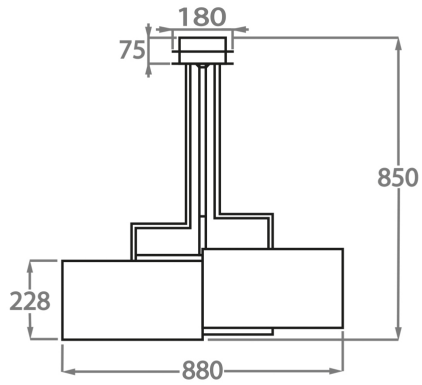
CL100-3,

Height: 85 cm (33.46")

Diameter: 88 cm (34.65")

Bulbs: 3 x 40W E27

Net Weight: 6 kg / 14 lb



5 Light

CL100-5,

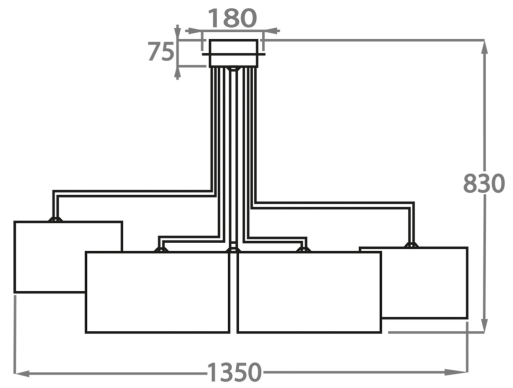
Height: 83 cm (32.68")

Width: 135 cm (53.15")

Length: 135 cm (53.15")

Bulbs: 5 x 40W E27

Net Weight: 8 kg / 18 lb



The height detailed is our standard height for this design. Please specify if you require a specific height.

Shades can also be made with Customer Own Material (COM)