

BELLA FIGURA

Regents Park Chandelier

CL102

Collection Name

MAYFAIR COLLECTION

Although ideal for rooms with slightly lower ceilings, this piece is large in character and its contemporary design is particularly captivating. This compact chandelier is comprised of three 16" drum shades in a choice of over 300+ silk colours. The Regents Park chandelier is both elegant and modern and is the perfect finishing touch to any design

Test Certification

UL (Underwriters Laboratories) test certificates available for the USA - will incur a surcharge
IEC (International Electrotechnical Commission) test certificates available - will incur a surcharge
Suitable for Yachts - Rod and bolting available for use on yachts

Compatible with



Yacht Club



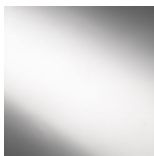
CL102 in Bronze with 16" X 8" Custom Drum Shades in Silk Dupion 5018W (left 625, Middle 175, Right 1095)

Available Finishes

Metal Finish



Brushed Nickel



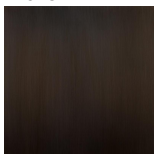
Polished
Nickel



Brushed Gold



Polished Gold



Bronze



Brushed Dark
Bronze

Available Sizes

One Size Only

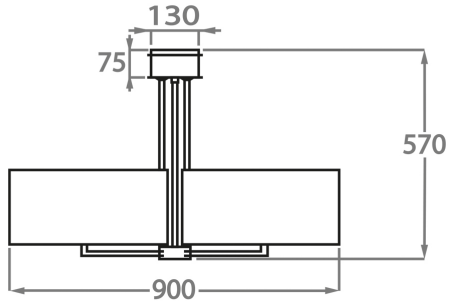
CL102,

Height: 57 cm (22.44")

Diameter: 90 cm (35.43")

Bulbs: 3 x 40W E27

Net Weight: 6 kg / 13 lb



The height detailed is our standard height for this design. Please specify if you require a specific height.

Shades can also be made with Customer Own Material (COM) for the 16" x 8" Custom Drum shades