

BELLA FIGURA

Curzon St Rectangular Chandelier

CL121-RECT

Collection Name
MAYFAIR COLLECTION

The stunning Curzon Street rectangular chandelier, that is paired with our Curzon Street drum chandelier, is a unique and stylish design that creates conversation within a room. With a co-ordinating wall light and table lamp of the same name, the chandelier encapsulates modernity and is available in various metal finishes depending on your preference

Test Certification

IEC (International Electrotechnical Commission) test certificates available - will incur a surcharge
Suitable for Yachts - Rod and bolting available for use on yachts
UL (Underwriters Laboratories) test certificates available for the USA - will incur a surcharge

Compatible with



Yacht Club



CL121-RECT-100 in Clear Lucite Rods and Brushed Nickel

Available Finishes

Lucite Finish



Clear Lucite Rods



Frosted Lucite Rods

Metal Finish



Polished Nickel



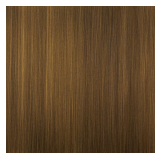
Polished Gold



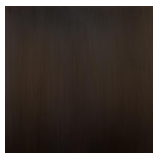
Brushed Gold



Brushed Nickel



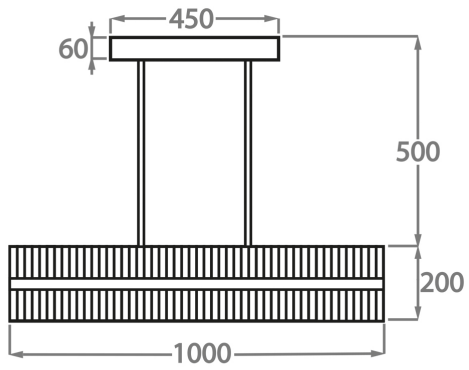
Antique
Brushed Brass



Bronze

Available Sizes

One Standard Size
CL121-RECT-100,
Height: 20 cm (7.87")
Width: 40 cm (15.75")
Length: 100 cm (39.37")
Bulbs: 8 x 40W E27
Net Weight: 28 kg / 62 lb



The dimensions of the supporting rods and ceiling rose are not included in the height measurements.
The standard rods and ceiling rose are 50cm (20") high if not otherwise specified by the customer.