

BELLA FIGURA

Belgrave Square Chandelier

CL123-S

Collection Name

MAYFAIR COLLECTION

This contemporary Belgrave Square Drum chandelier with a straight ring of Lucite rods and a large central mirror in distressed glass. This ornate chandelier is lit by a long LED strip positioned above the Lucite rods to create a beautifully warm lighting effect which is reflected off the distressed mirror. With a height of only 10.5cm (4.2") plus the central rod and ceiling rose, this chandelier is perfect for rooms with slightly lower ceiling heights

Test Certification

Suitable for Yachts - Rod and bolting available for use on yachts

UL (Underwriters Laboratories) test certificates

available for the USA - will incur a surcharge

IEC (International Electrotechnical Commission) test certificates available - will incur a surcharge

Compatible with



Bathroom



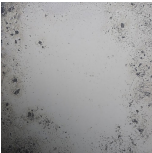
Yacht Club



CL123-S-100 in Clear Lucite Rods and Brushed Gold with Distressed Mirror

Available Finishes

Antique Mirror Finish



Antique Black

Lucite Colours



Clear Lucite Rods



Frosted Lucite Rods

Metal Finishes



Polished Nickel



Polished Gold



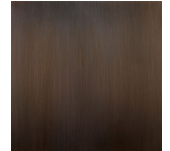
Brushed Gold



Brushed Nickel



Antique Brushed Brass



Bronze

Available Sizes

Size One

CL123-S-80,

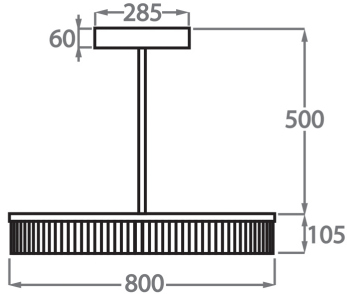
Height: 10.5 cm (4.13")

Diameter: 80 cm (31.5")

1 x 35W LED Strip with a life expectancy of 50,000 hours

Max Watt and Lamps: 35W x 1

Net Weight: 20 kg / 45 lb



Size Two

CL123-S-100,

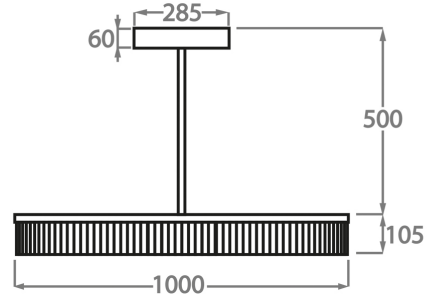
Height: 10.5 cm (4.13")

Diameter: 100 cm (39.37")

1 x 45W LED Strip with life expectancy of 50,000 hours

Max Watt and Lamps: 45W x 1

Net Weight: 25 kg / 55 lb



Size Three

CL123-S-120,

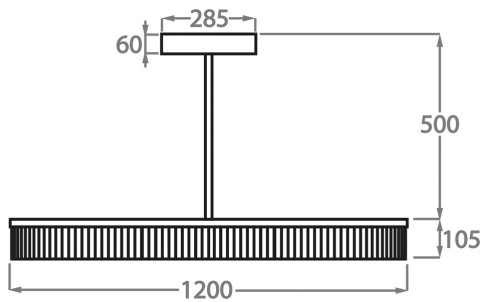
Height: 10.5 cm (4.13")

Diameter: 120 cm (47.24")

1 x 55W LED Strip with a life expectancy of 50,000 hours

Max Watt and Lamps: 55W x 1

Net Weight: 30 kg / 66 lb



Please note we offer two options for our LED lit products that you can discuss with your sales advisor:

Warm White - 2700K - 2900K

Cool White - 5000K - 6000K

The dimensions of the central supporting rod and ceiling rose are not included in the height measurements.

The standard rod and ceiling rose are 50cm (20") high if not otherwise specified by the customer.