

# BELLA FIGURA

## Savile Row Chandelier

**CL125**

Collection Name

**MAYFAIR COLLECTION**

With a diffuser inside the bottom row of tiles, this Savile Row chandelier is comprised of a tiered frame and hand-carved Lucite. This piece incorporates both modern and traditional design to create the perfect lighting within your space. The opulent design magnificently transforms any interior and becomes a beautiful centre point

### Test Certification

IEC (International Electrotechnical Commission) test certificates available - will incur a surcharge  
UL (Underwriters Laboratories) test certificates available for the USA - will incur a surcharge

### Compatible with



Bathroom



CL125-75 in Clear Hand-carved Lucite and Brushed Bronze

### Available Finishes

#### Lucite Finish



Clear Hand-Carved Lucite

#### Metal Finish



Polished Gold



Brushed Gold



Brushed Nickel



Polished Nickel



Brushed Bronze

#### Murano Glass Finish

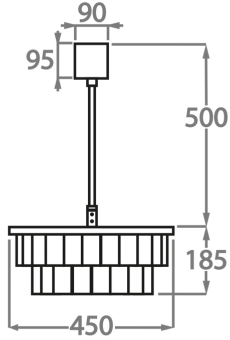


Hammered Glass

Available Sizes

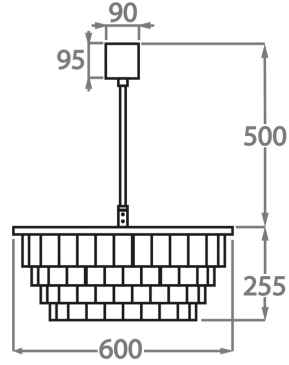
**Size One**

CL125-45,  
Height: 18.5 cm (7.28")  
Diameter: 45 cm (17.72")  
Bulbs: 4 x 40W E14  
Net Weight: 7 kg / 15 lb



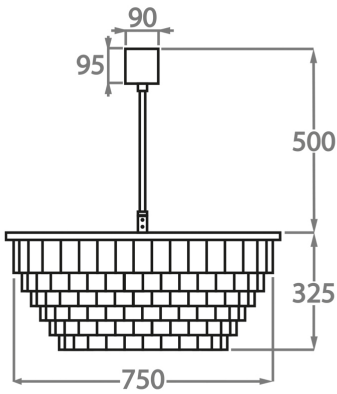
**Size Two**

CL125-60,  
Height: 25.5 cm (10.04")  
Diameter: 60 cm (23.62")  
Bulbs: 6 x 40W E27  
Net Weight: 14 kg / 31 lb



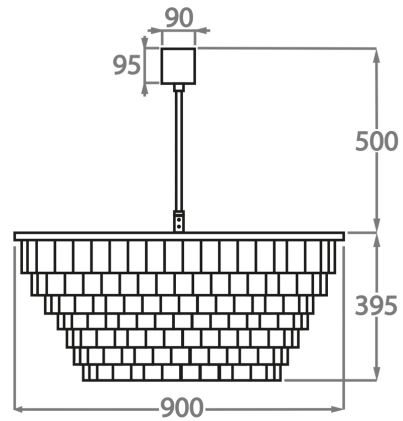
**Size Three**

CL125-75,  
Height: 32.5 cm (12.8")  
Diameter: 75 cm (29.53")  
Bulbs: 8 x 40W E27  
Net Weight: 19 kg / 42 lb



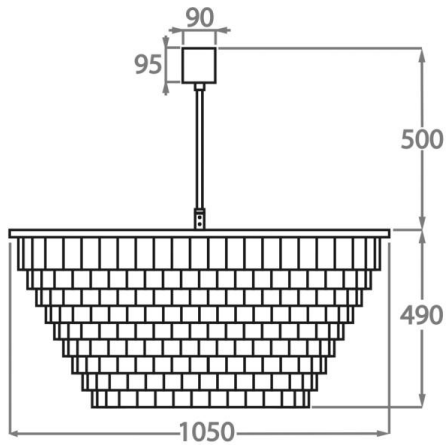
**Size Four**

CL125-90,  
Height: 39.5 cm (15.55")  
Diameter: 90 cm (35.43")  
Bulbs: 8 x 40W E27  
Net Weight: 21 kg / 46 lb



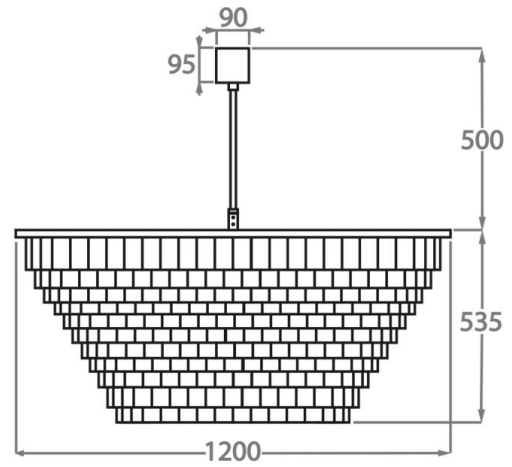
### Size Five

CL125-105,  
Height: 49 cm (19.29")  
Diameter: 105 cm (41.34")  
Bulbs: 10 x 40W E27  
Net Weight: 25 kg / 55 lb



### Size Six

CL125-120,  
Height: 53.5 cm (21.06")  
Diameter: 120 cm (47.24")  
Bulbs: 12 x 40W E27  
Net Weight: 45 kg / 99 lb



The dimensions of the central supporting rod and ceiling rose are not included in the height measurements.  
The standard rod and ceiling rose is 50cm (20") high if not otherwise specified by the customer.

Please Note: Our Chandeliers are not supplied with ceiling hooks. All of our chandeliers will mount an adequate ceiling rose, and chain/rod which will depend on the weight of the fixing. A qualified electrician must assess your ceiling structure and advise on the right fitting.