

BELLA FIGURA

Savile Row Pendant

CL125-PEN

Collection Name

MAYFAIR COLLECTION

A new edition to the pendant collection, this Savile Row chandelier adaptation is comprised of a small tiered frame and hand-carved Lucite. This piece incorporates both modern and traditional design to create the perfect lighting within your space. The opulent design magnificently transforms any interior and becomes a beautiful centre point whether as a single or multiplied

Test Certification

IEC (International Electrotechnical Commission) test certificates available - will incur a surcharge
UL (Underwriters Laboratories) test certificates available for the USA - will incur a surcharge

Compatible with



Bathroom



CL125-PEN in Clear Hand-carved Lucite and Brushed Dark Bronze

Available Finishes

Lucite Finish



Clear Hand-Carved Lucite

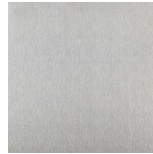
Metal Finish



Polished Gold



Brushed Gold



Brushed Nickel



Polished Nickel



Brushed Dark Bronze

Murano Glass Finish



Hammered Glass

Available Sizes

Size One

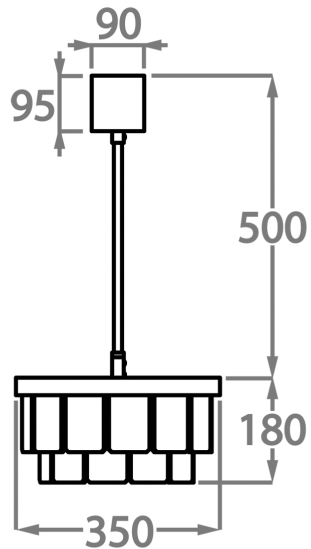
CL125-PEN,

Height: 18 cm (7.09")

Diameter: 35 cm (13.78")

Bulbs: 4 x 40W G9

Net Weight: 7 kg / 15 lb



The dimensions of the central supporting rod and ceiling rose are not included in the height measurements.
The standard rod and ceiling rose is 50cm (20") high if not otherwise specified by the customer.

Please Note: Our Chandeliers are not supplied with ceiling hooks. All of our chandeliers will mount an adequate ceiling rose, and chain/rod which will depend on the weight of the fixing. A qualified electrician must assess your ceiling structure and advise on the right fitting.