

BELLA FIGURA

Lunar Chandelier

CL213-RO

Collection Name
MOONLIGHT COLLECTION

On our Lunar chandelier, alternating Satin and Clear glass plates describe the cyclic waxing and waning Moon phases of which we are familiar. The style of this ceiling light is informed by archives of 1920s Murano glass chandeliers and rejuvenated by a pared down, sleek approach to its form. The perfect pairing to this chandelier is our Lunar wall light, which echoes the orderly sequence of light across its face.

Test Certification

IEC (International Electrotechnical Commission) test certificates available - will incur a surcharge
UL (Underwriters Laboratories) test certificates available for the USA - will incur a surcharge

Compatible with



Bathroom



CL213-RO in Satin with Clear Glass and Brushed Gold

Available Finishes

Glass Finish



Lunar Satin with Clear

Metal Finish



Brushed Nickel



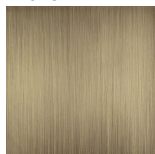
Polished
Nickel



Brushed Gold



Polished Gold



Brushed Dark
Bronze

Available Sizes

Size One

CL213-RO-50,

Height: 23.5 cm (9.25")

Diameter: 50 cm (19.69")

Bulbs: 6 x 25W G9 or 4W LED G9
G9 LED

Net Weight: 13 kg / 29 lb

Size Two

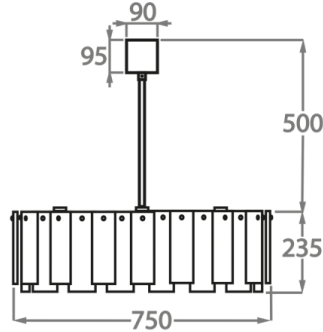
CL213-RO-75,

Height: 23.5 cm (9.25")

Diameter: 75 cm (29.53")

Bulbs: 8 x 25W G9 or 4W LED G9 G9 LED

Net Weight: 25 kg / 55 lb



Size Three

CL213-RO-100,

Height: 23.5 cm (9.25")

Diameter: 100 cm (39.37")

Bulbs: 10 x 25W G9 or 4W LED
G9 G9 LED

Net Weight: 30 kg / 66 lb

Size Four

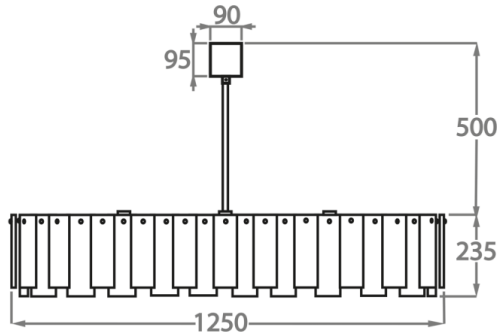
CL213-RO-125,

Height: 23.5 cm (9.25")

Diameter: 125 cm (49.21")

Bulbs: 12 x 25W G9 or 4W LED G9 G9 LED

Net Weight: 42 kg / 93 lb



The dimensions of the central supporting rod and ceiling rose are not included in the height measurements
The standard rod and ceiling rose is 50cm (20") high if not otherwise specified by the customer
This design can be made in custom sizes

Please Note: Our chandeliers are not supplied with ceiling hooks. The ceiling rose, chain and rod specification will differ dependent on the weight of the chandelier. A qualified electrician must assess your ceiling structure and advise on the right fitting.