

BELLA FIGURA

Garda Chandelier

CL458

Collection Name

RETRO MURANO COLLECTION

Inspired by the crystal clear waters of Lake Garda in Italy, this new elegant chandelier draws stylistic inspiration from our popular Como chandelier. This design incorporates a large metal band, and a curved glass filled centre which features dozens of pear-shaped glass drops that have been crafted by hand. When lit this alluring chandelier creates a stunning glow throughout each glass drop.

Finish note: we only offer the main body of the chandelier in non polished finishes; brushed dark bronze, matt nickel and matt gold. The 'thin decorative bands' are available in both brushed and polished finishes should you wish for contrasting finishes.

Test Certification

UL (Underwriters Laboratories) test certificates available for the USA - will incur a surcharge

Compatible with



Bathroom



CL458-80 in Clear Bubbled Glass and Brushed Dark Bronze with Polished Gold Thin Decorative Bands

Available Finishes

Garda Thin Decorative Bands



Chrome



Polished Gold



Matt Nickel



Matt Gold

Glass Finish



Pear Shaped Clear & Bubbled

Metal Finish

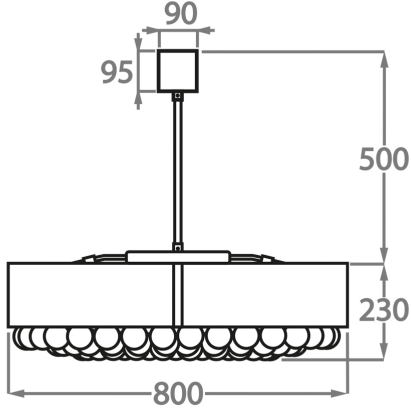


Brushed Dark Bronze

Available Sizes

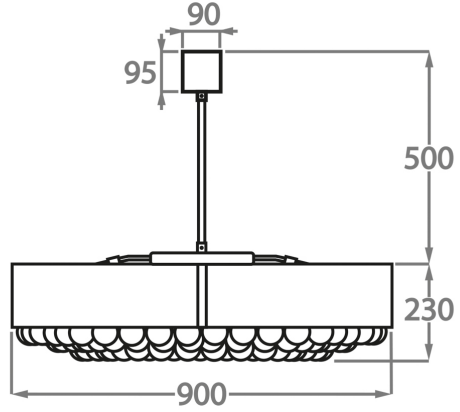
Size One

CL458-80,
Height: 23 cm (9.06")
Diameter: 80 cm (31.5")
Bulbs: 12 x 25W or LED 6W G9
Net Weight: 50 kg / 110 lb



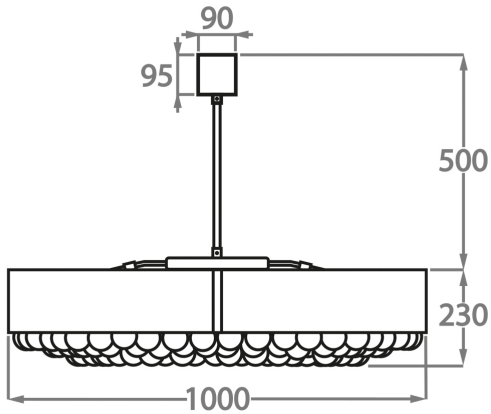
Size Two

CL458-90,
Height: 23 cm (9.06")
Diameter: 90 cm (35.43")
Bulbs: 12 x 25W or LED 6W G9
Net Weight: 55 kg / 121 lb



Size Three

CL458-100,
Height: 23 cm (9.06")
Diameter: 100 cm (39.37")
Bulbs: 16 x 25W or LED 6W G9
Net Weight: 70 kg / 154 lb



The dimensions of the central rod and ceiling rose are not included in the height measurements. Please add a minimum of 15cm (6") to the height to take this into account. The standard rod and ceiling rose height is 50cm (20") if not otherwise specified by customer.

Please note we only offer the main body of the chandelier in non polished finishes; brushed dark bronze, matt nickel and matt gold. The 'thin decorative bands' are available in both brushed and polished finishes should you wish for contrasting finishes.