

# BELLA FIGURA

## Dahlia Chandelier

**CL461**

Collection Name

**RETRO MURANO COLLECTION**

Combining modernity with classic design and elegance, the new Dahlia chandelier is a more contemporary take on its predecessor the Petal chandelier. Inspired by the delicate petals that adorn the opulent Dahlia flower, each piece of glass hangs beautifully from the ceiling frame in either smoke, satin or clear Murano glass.

### Test Certification

IEC (International Electrotechnical Commission) test certificates available - will incur a surcharge  
UL (Underwriters Laboratories) test certificates available for the USA - will incur a surcharge

### Compatible with



Bathroom



CL461-45 in Clear Murano Glass and Brushed Dark Bronze

### Available Finishes

#### Metal Finishes



Chrome



Polished Gold



Brushed Dark  
Bronze

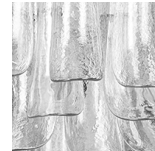
#### Murano Glass Colours



Satin Dahlia  
Glass



Smoke Dahlia  
Glass



Clear Dahlia  
Glass

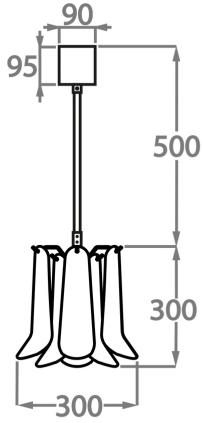
#### Product Note

This chandelier is available with either a chain or rod support

Available Sizes

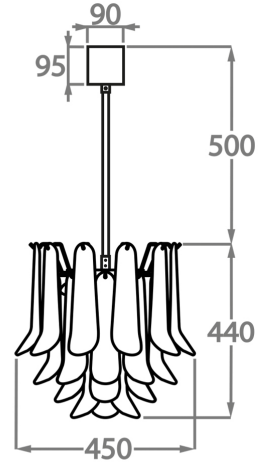
**Size One**

CL461-30,  
Height: 30 cm (11.81")  
Diameter: 30 cm (11.81")  
1 x 40W E27  
Max Watt and Lamps: 40W x 1  
Net Weight: 8 kg / 18 lb



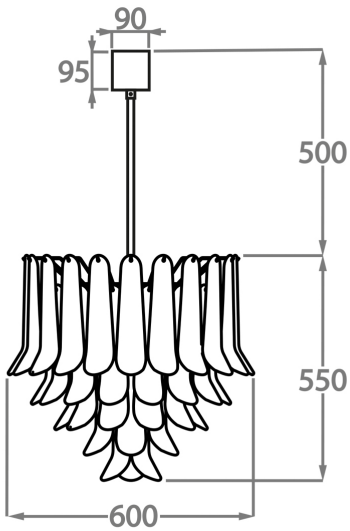
**Size Two**

CL461-45,  
Height: 44 cm (17.32")  
Diameter: 45 cm (17.72")  
4 x 40W E27  
Max Watt and Lamps: 40W x 4  
Net Weight: 14 kg / 31 lb



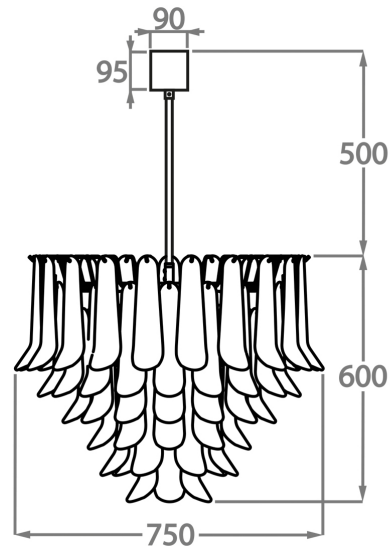
**Size Three**

CL461-60,  
Height: 55 cm (21.65")  
Diameter: 60 cm (23.62")  
5 x 40W 40w  
Max Watt and Lamps: 40W x 5  
Net Weight: 20 kg / 45 lb



**Size Four**

CL461-75,  
Height: 60 cm (23.62")  
Diameter: 75 cm (29.53")  
7 x 40W E27  
Max Watt and Lamps: 40W x 7  
Net Weight: 30 kg / 66 lb



**Size Five**

CL461-100,

Height: 66 cm (25.98")

Diameter: 100 cm (39.37")

9 x 40W E27

Max Watt and Lamps: 40W x 9

Net Weight: 42 kg / 93 lb

The dimensions of the central rod/chain and ceiling rose are not included in the height measurements.  
Standard rod/chain and ceiling rose is 50cm if not otherwise specified by customer.