

BELLA FIGURA

Triple Drum Ribbon Chandelier

CL464-3T

Collection Name

RETRO MURANO COLLECTION

The ornate and striking glass ribbons that adorn the sleek band of this inspiring piece create the illusion of cascading water, adding grandeur and character to any room. A design that incorporates this chandelier is instantly transformed into a spacious masterpiece. Available now in a spectacular triple drum version in three brushed metal finishes

Finish note: Due to the nature of our hand made product our finishes can vary from piece to piece. Please be aware studio lighting can affect tone of metals and alter material appearance slightly. For more details, speak to your sales advisor who may be able to organise sampling upon request.

Test Certification

IEC (International Electrotechnical Commission) test certificates available - will incur a surcharge

UL (Underwriters Laboratories) test certificates available for the USA - will incur a surcharge

Compatible with



Bathroom



CL464-3T-100 in Clear and Smoke Ribbon Glass and Brushed Dark Bronze

Available Finishes

Metal Finish



Brushed Dark Bronze



Brushed Gold



Brushed Nickel

Murano Glass Finish



Clear Ribbon Glass

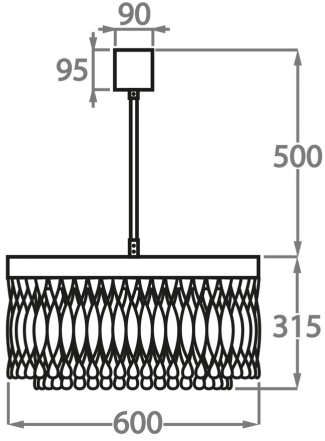


Clear & Smoke Ribbon Glass

Available Sizes

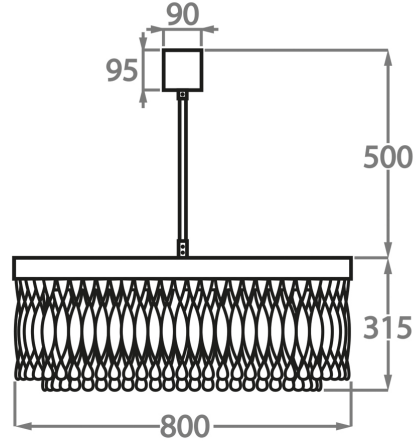
Size One

CL464-3T-60,
Height: 31.5 cm (12.4")
Diameter: 60 cm (23.62")
Bulbs: 9 x 2.5W LED G9
Net Weight: 27 kg / 60 lb



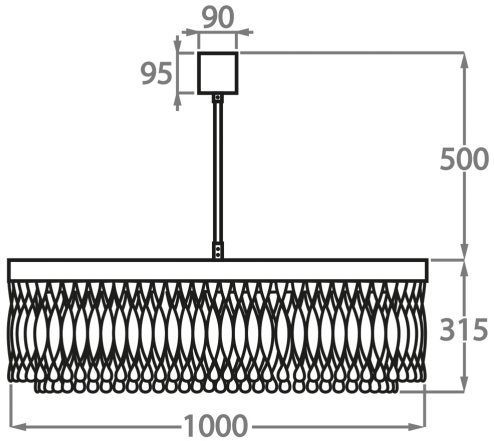
Size Two

CL464-3T-80,
Height: 31.5 cm (12.4")
Diameter: 80 cm (31.5")
Bulbs: 12 x 2.5W LED G9
Net Weight: 37 kg / 82 lb



Size Three

CL464-3T-100,
Height: 31.5 cm (12.4")
Diameter: 100 cm (39.37")
Bulbs: 15 x 2.5W LED G9
Net Weight: 47 kg / 104 lb



The dimensions of the central rod and ceiling rose are not included in the height measurements. The standard rod and ceiling rose height is 50cm (20") if not otherwise specified by customer.

Min. height with rod/chain is 15cm including ceiling rose.

Max. height with rod is 100-120cm. Longer lengths will be made in sections.

Finish note: Due to the nature of our hand made product our finishes can vary from piece to piece. Please be aware studio lighting can affect tone of metals and alter material appearance slightly. For more details, speak to your sales advisor who may be able to organise sampling upon request.