

BELLA FIGURA

Zeus Chandelier

CL627-12+6

Collection Name

MODERN MURANO COLLECTION

The Zeus chandelier is part of our Modern Murano collection, a collection that revolutionises traditional design so that each piece is contemporary, while still possessing the beauty and timelessness of classic style.

Comprised of ribbed Murano glass and available in a number of metal finishes, this simple yet breath-taking ceiling light is an innovative re-working of one of our most popular classic products, the Zeus wall light. Now available in a single or double-tier design, this piece can be customised to fit into any scheme

Test Certification

IEC (International Electrotechnical Commission) test certificates available - will incur a surcharge

UL (Underwriters Laboratories) test certificates available for the USA - will incur a surcharge



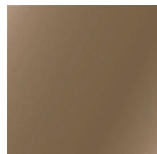
CL627-12+6 in Clear Murano Glass and Brushed Nickel

Available Finishes

Glass Colour



Venetian Clear



Venetian
Smoke

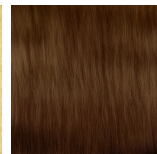


Venetian
White

Metal Finishes



Brushed Gold



Brushed Light
Bronze



Brushed Nickel

Available Sizes

6 Light

CL627-6,

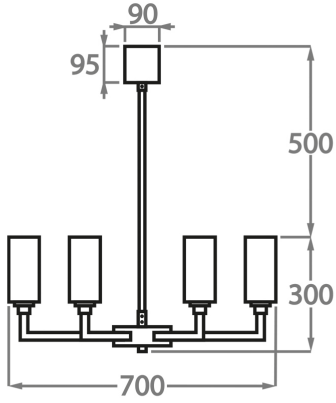
Height: 30 cm (11.81")

Diameter: 70 cm (27.56")

6 x 42W E14 Golf Ball Bulbs/Lamps only

Max Watt and Lamps: 42W x 6

Net Weight: 6 kg / 13 lb



9 Light

CL627-9,

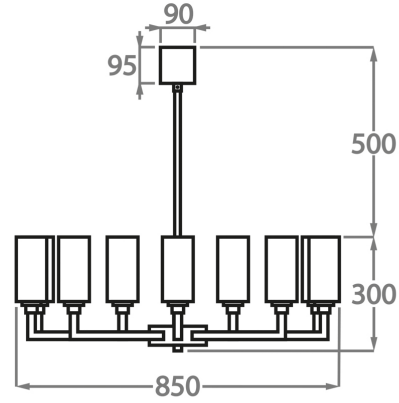
Height: 30 cm (11.81")

Diameter: 85 cm (33.46")

9 x 42W E14 Golf Ball Bulbs/Lamps only

Max Watt and Lamps: 42W x 9

Net Weight: 6 kg / 11 lb



12 Light

CL627-12,

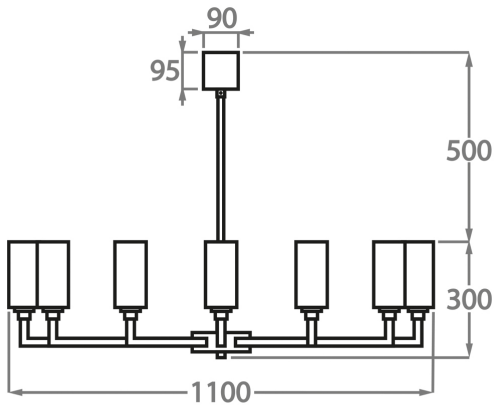
Height: 30 cm (11.81")

Diameter: 110 cm (43.31")

12 x 42W E14 Golf Ball Bulbs/Lamps only

Max Watt and Lamps: 42W x 12

Net Weight: 7 kg / 15 lb



9+3 Light

CL627-9+3,

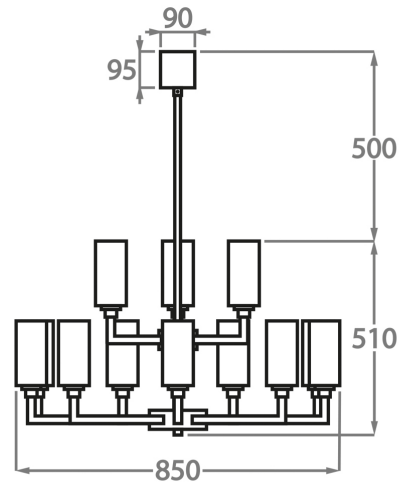
Height: 51 cm (20.08")

Diameter: 85 cm (33.46")

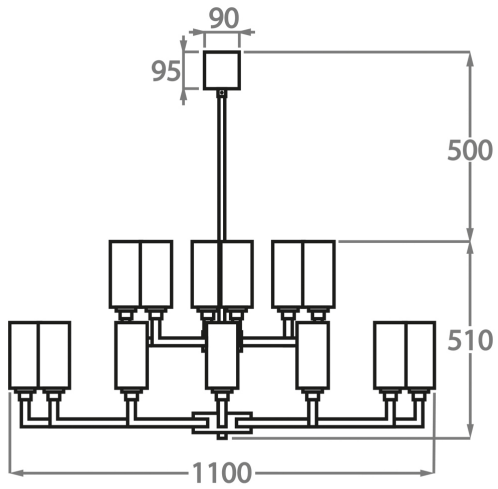
12 x 42W E14 Golf Ball Bulbs/Lamps only

Max Watt and Lamps: 42W x 12

Net Weight: 13 kg / 29 lb



12+6 Light
CL627-12+6,
Height: 51 cm (20.08")
Diameter: 110 cm (43.31")
18 x 42W E14
Max Watt and Lamps: 42W x 18



Please use 'Golf Ball' bulbs/lamps only.

The dimensions of the central rod/chain and ceiling rose are not included in the height measurements.
Standard rod/chain and ceiling rose is 50cm if not otherwise specified by customer.