

# BELLA FIGURA

## Diamond Solitaire Large Lamp

TL713-LA

Collection Name

**BEVERLY HILLS COLLECTION**

A stunning new table lamp, which is from the same Italian artisan makers of our weighty Diamond lamps. Flawless, pristine polished Murano glass, which are mould made so that they are perfect every time, they are formed from four layers of glass in our core Beverly Hills collection colours. Available in two sizes, these lamp bases are slim, which makes them perfect for console and bedside tables.

### Test Certification

IEC (International Electrotechnical Commission) test certificates available - will incur a surcharge  
UL (Underwriters Laboratories) test certificates available for the USA - will incur a surcharge  
Suitable for Yachts - Rod and bolting available for use on yachts

### Compatible with



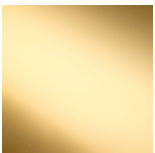
Yacht Club



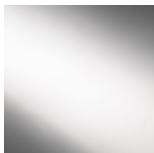
TL713-LA in Clear and Polished Gold with a 15" Oval 5018W/126

### Available Finishes

#### Metal Finishes



Polished Gold



Polished Nickel

#### Murano Glass Colours



Solitaire Amethyst & Clear



Solitaire Petrol Blue & Clear



Solitaire Tobacco & Clear

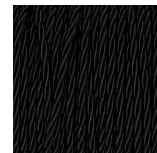


Solitaire Clear



Solitaire Forest Green & Clear

#### Silk Flex Choice



Black



Cream



Silver



Brown

## Available Sizes

---

### Size One

TL713-SM,

Height: 34 cm (13.39")

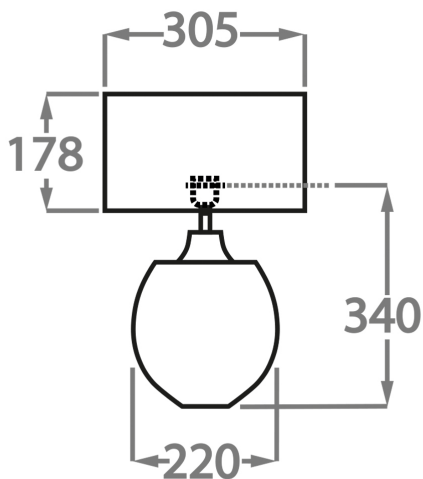
Width: 22 cm (8.66")

Depth: 10 cm (3.94")

1 x 40w E27

Max Watt and Lamps: 40w x 1

Net Weight: 8 kg / 18 lb Cable Exit: Top



### Size Two

TL713-LA,

Height: 40 cm (15.75")

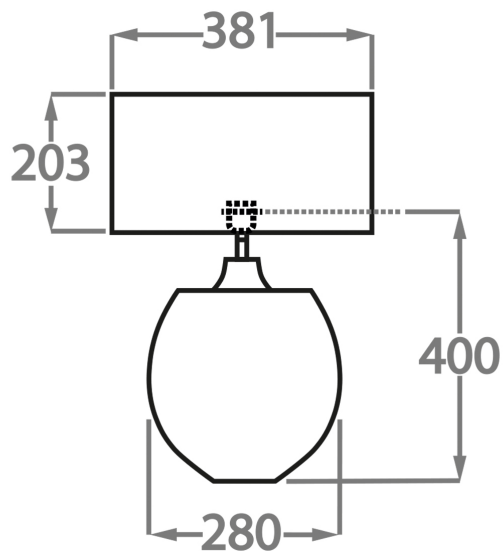
Width: 28 cm (11.02")

Depth: 10 cm (3.94")

1 x 40W E27

Max Watt and Lamps: 40W x 1

Net Weight: 10 kg / 22 lb Cable Exit: Top



Dimensions are measured from the base of the lamp to the middle of the bulb holder and are excluding shade.

Shades are also available in Customer Own Material (COM)

\*Please note, due to our Diamond table lamps being individually hand made and each one being unique, there may be slight variations in colour\*