

BELLA FIGURA

Diamond Solitaire Small Lamp

TL713-SM

Collection Name

BEVERLY HILLS COLLECTION

A stunning new table lamp, which is from the same Italian artisan makers of our weighty Diamond lamps. Flawless, pristine polished Murano glass, mould made so perfect every time, they are formed from layer upon layer of glass in our core Beverly Hills collection colours. It's circular shape is reminiscent of a cut glass lollipop. Available in two sizes, these lamp bases are slim so perfect for bedside tables ensuring lots of useable space remains.

Test Certification

IEC (International Electrotechnical Commission) test certificates available - will incur a surcharge
UL (Underwriters Laboratories) test certificates available for the USA - will incur a surcharge
Suitable for Yachts - Rod and bolting available for use on yachts

Compatible with



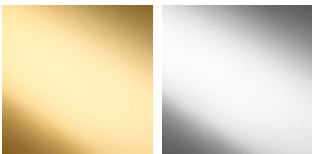
Yacht Club



TL713-SM in Forest Green & Clear and Polished Nickel with a 12" Oval Shade in 38000/91

Available Finishes

Metal Finish



Polished Gold

Polished Nickel

Murano Glass Finish



Solitaire
Amethyst &
Clear

Solitaire Clear

Solitaire Forest
Green & Clear



Solitaire Petrol
Blue & Clear



Solitaire
Tobacco &
Clear

Recommended Shade(s) (OPTIONAL)

12" Oval

Silk Flex



Black



Cream



Silver



Brown

Available Sizes

Size One

TL713-SM,

Height: 34 cm (13.39")

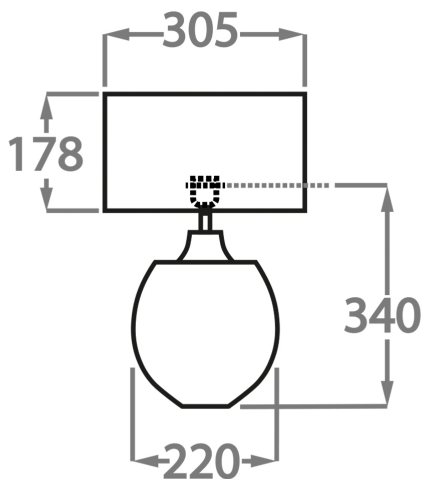
Width: 22 cm (8.66")

Depth: 10 cm (3.94")

1 x 40w E27

Max Watt and Lamps: 40w x 1

Net Weight: 8 kg / 18 lb Cable Exit: Top



Size Two

TL713-LA,

Height: 40 cm (15.75")

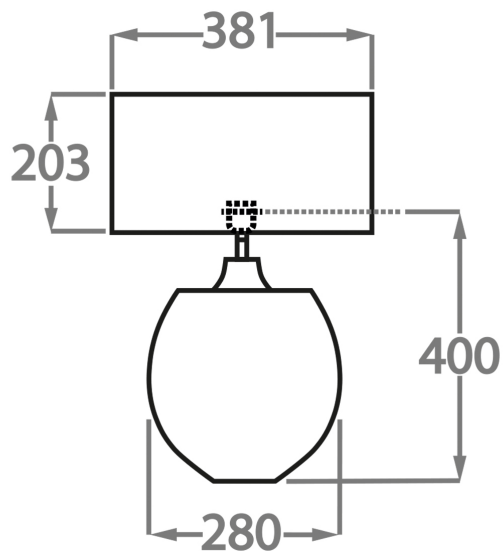
Width: 28 cm (11.02")

Depth: 10 cm (3.94")

1 x 40W E27

Max Watt and Lamps: 40W x 1

Net Weight: 10 kg / 22 lb Cable Exit: Top



Dimensions are measured from the base of the lamp to the middle of the bulb holder and are excluding shade.

Shades are also available in Customer Own Material (COM)

Please note, due to our Diamond table lamps being individually hand made and each one being unique, there may be slight variations in colour