

# BELLA FIGURA

## Diamond Solitaire Small Lamp

TL713-SM

Collection Name

**BEVERLY HILLS COLLECTION**

A stunning new table lamp, which is from the same Italian artisan makers of our weighty Diamond lamps. Flawless, pristine polished Murano glass, mould made so perfect every time, they are formed from layer upon layer of glass in our core Beverly Hills collection colours. It's circular shape is reminiscent of a cut glass lollipop. Available in two sizes, these lamp bases are slim so perfect for bedside tables ensuring lots of useable space remains.

### Test Certification

IEC (International Electrotechnical Commission) test certificates available - will incur a surcharge  
UL (Underwriters Laboratories) test certificates available for the USA - will incur a surcharge  
Suitable for Yachts - Rod and bolting available for use on yachts

### Compatible with



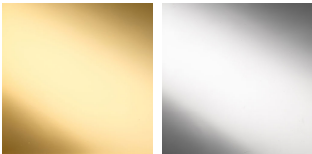
Yacht Club



TL713-SM in Tobacco & Clear and Polished Nickel with a 12" Oval Shade in 38000/91

### Available Finishes

#### Metal Finish



Polished Gold

Polished Nickel

#### Murano Glass Finish



Amethyst & Clear (Solitaire)



Clear (Solitaire)



Forest Green & Clear (Solitaire)



Slate & Clear (Solitaire)



Tobacco & Clear (Solitaire)

#### Recommended Shade(s) (OPTIONAL)

12" Oval

**Silk Flex**



Black



Cream



Silver



Brown

## Available Sizes

---

### Size One

TL713-SM,

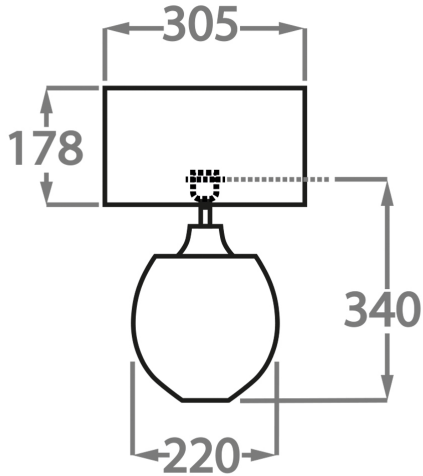
Height: 34 cm (13.39")

Width: 22 cm (8.66")

Depth: 10 cm (3.94")

Bulbs: 1 x 40w E27

Net Weight: 8 kg / 18 lb Cable Exit: Top



### Size Two

TL713-LA,

Height: 40 cm (15.75")

Width: 28 cm (11.02")

Depth: 10 cm (3.94")

Bulbs: 1 x 40W E27

Net Weight: 10 kg / 22 lb



Dimensions are measured from the base of the lamp to the middle of the bulb holder and are excluding shade.

Shades are also available in Customer Own Material (COM)

\*Please note, due to our Diamond table lamps being individually hand made and each one being unique, there may be slight variations in colour\*