

# BELLA FIGURA

## Diamond Teardrop Slim Large Lamp

TL712-LA

Collection Name

**BEVERLY HILLS COLLECTION**

Introducing the new Diamond Teardrop range; unrivalled Italian glass work from our trusted makers in Murano; the design of these lamps carry the finesse, craftsmanship and weight you expect from our faceted Diamond range but with sweeping curves and softer facets. Available in our core standout colour ways from the Beverley Hills collection and various silhouettes and sizes to suit. **IMPORTANT NOTE** - Tobacco & Clear glass finish is currently only available as singles.

Required modifications for use on yachts - lacquer applied to all metal components, "sea rod" through centre to secure base to surfaces, with the cable exit through bottom of the base.

### Test Certification

IEC (International Electrotechnical Commission) test certificates available - will incur a surcharge  
UL (Underwriters Laboratories) test certificates available for the USA - will incur a surcharge  
Suitable for Yachts - Rod and bolting available for use on yachts

### Compatible with



Express



Yacht Club



TL712-LA in Slate & Clear and Brushed Gold with a 12" Tall Drum in 1806W-44

### Available Finishes

#### Metal Finish



Brushed Gold



Brushed Nickel



Polished Gold



Polished Nickel

#### Murano Glass Finish



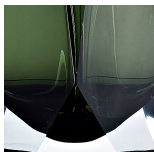
Slate & Clear



Tobacco & Clear



Diamond Clear



Forest Green & Clear



Amethyst & Clear

#### Recommended Shade(s) (OPTIONAL)

12" Tall Drum

**Silk Flex**



Black



Brown



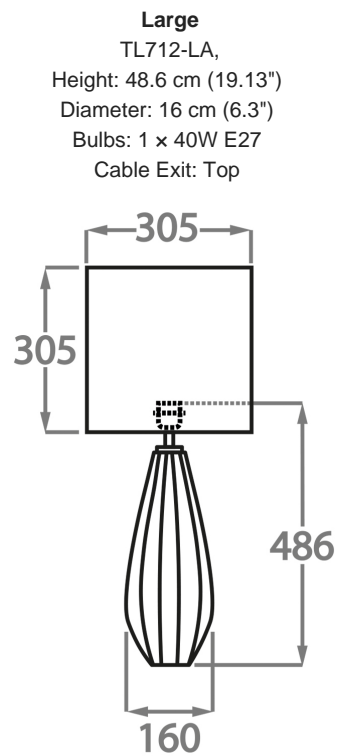
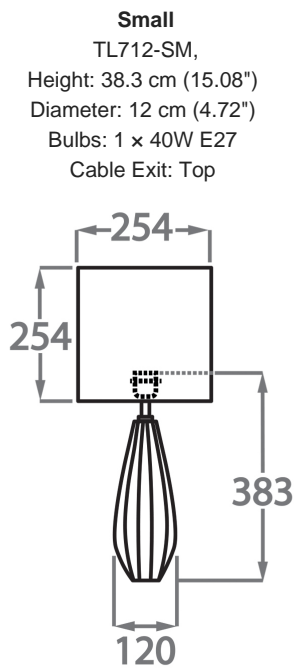
Cream



Silver

## Available Sizes

---



Dimensions are measured from the base of the lamp to the middle of the bulb holder and are excluding shade

TL712-SM: Overall height with a 10" tall drum shade 59cm - 23"

TL712-LA: Overall height with a 12" tall drum shade 76cm - 30"

Shades are also available in Customer Own Material (COM)

\*Please note, due to our Diamond table lamps being individually hand made and each one being unique, there may be slight variations in colour\*

All our Diamond lamps are top wired (French Wired)