

BELLA FIGURA

Diamond Teardrop Small Lamp

TL711-SM

Collection Name

BEVERLY HILLS COLLECTION

Introducing the new Diamond Teardrop range; unrivalled Italian glass work from our trusted makers in Murano; the design of these lamps carry the finesse, craftsmanship and weight you expect from our faceted Diamond range but with sweeping curves and softer facets. Available in our core standout colour ways from the Beverley Hills collection and various silhouettes and sizes to suit

Test Certification

IEC (International Electrotechnical Commission) test certificates available - will incur a surcharge
UL (Underwriters Laboratories) test certificates available for the USA - will incur a surcharge
Suitable for Yachts - Rod and bolting available for use on yachts

Compatible with



Yacht Club



TL711-SM in Petrol Blue Murano Glass with a 8" Tall Drum Shade in James Hare 38000/91

Available Finishes

Metal Finishes



Brushed Gold



Brushed Nickel

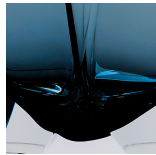


Polished Gold



Polished Nickel

Murano Glass Colours



Petrol Blue & Clear



Tobacco & Clear



Diamond Clear



Forest Green & Clear



Amethyst & Clear

Product Note

Please note this lamp is French Wired (Top Wired)

Silk Flex Choice



Black



Brown

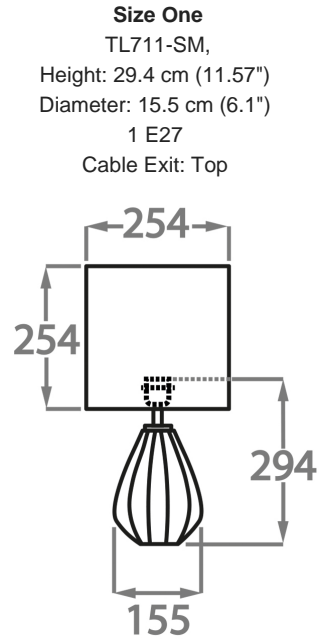
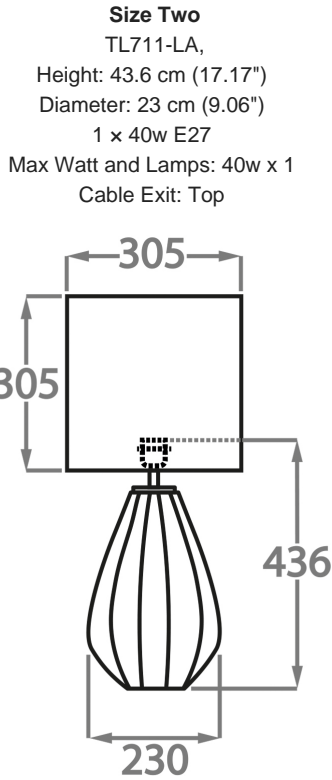


Cream



Silver

Available Sizes



Dimensions are measured from the base of the lamp to the middle of the bulb holder and are excluding shade

TL711-SM: Overall height with an 8" tall drum shade 44cm - 17"

TL711-LA: Overall height with a 12" tall drum shade 75cm - 30"

Shades are also available in Customer Own Material (COM)

Please note, due to our Diamond table lamps being individually hand made and each one being unique, there may be slight variations in colour

All our Diamond lamps are top wired (French Wired)