

BELLA FIGURA

Facet Chandelier Rectangular

CL550-RECT

Collection Name
MAYFAIR COLLECTION

The Facet Rectangular chandelier beautifully contrasts the Facet Round chandelier and can be used over breakfast bars and dining room tables. Available in 3 metal finishes, this chandelier can be adapted to suit any design while still encompassing the intertwining lines and small bubbles that are naturally formed within ice, captured within the 'Dry Ice' finish of the Murano glass. This new chandelier is part of the 'Facet collection' designed in collaboration with Laura Hammett Interiors

Test Certification

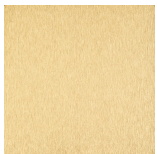
IEC (International Electrotechnical Commission) test certificates available - will incur a surcharge
UL (Underwriters Laboratories) test certificates available for the USA - will incur a surcharge



CL550-Rectangular in 'dry Ice' Murano Glass and Brushed Dark Bronze

Available Finishes

Metal Finish



Brushed Gold



Brushed Nickel



Brushed Dark
Bronze

Murano Glass Finish



Dry Ice

Available Sizes

Size One

CL550-RECT-120,

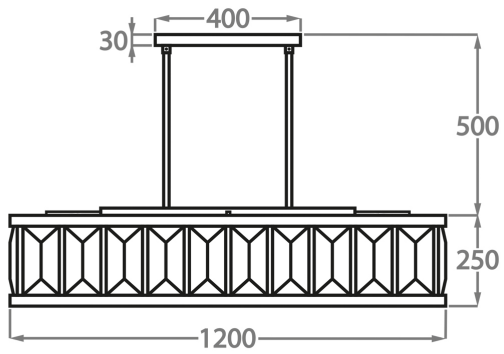
Height: 25 cm (9.84")

Width: 38 cm (14.96")

Length: 120 cm (47.24")

Bulbs: 10 x 25W or LED 4W E14

Net Weight: 65 kg / 144 lb



The dimensions of the supporting rods and ceiling rose are not included in the height measurements.

The standard rods and ceiling rose are 50cm (20") high if not otherwise specified by the customer.

We recommend the use of LED bulbs with this chandelier for low energy consumption and long life.