

# BELLA FIGURA

## Facet Chandelier Round

**CL550**

Collection Name

**MAYFAIR COLLECTION**

Mimicking the weaving line patterns that naturally form within sheets of Ice, the Dry Ice glass finish of this breath-taking Round chandelier brings elements of the natural world into any space, emitting a cool, soft light. The brushed dark bronze finish combines the nature-inspired design with rustic elements to form a beautiful and unique piece. This new chandelier is part of the 'Facet collection' designed by Laura Hammett Interiors

### Test Certification

IEC (International Electrotechnical Commission) test certificates available - will incur a surcharge  
UL (Underwriters Laboratories) test certificates available for the USA - will incur a surcharge



CL550 Round in 'dry Ice' Murano Glass and Brushed Dark Bronze

### Available Finishes

#### Metal Finish



Brushed Gold



Brushed Nickel



Brushed Dark  
Bronze

#### Murano Glass Finish



Dry Ice

## Available Sizes

---

### Size One

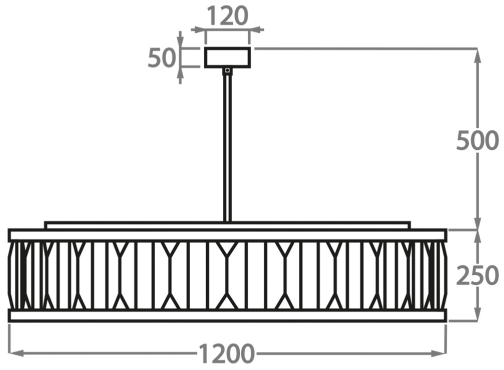
CL550-120,

Height: 25 cm (9.84")

Diameter: 120 cm (47.24")

Bulbs: 12 x 25W or LED 4W E14

Net Weight: 95 kg / 210 lb



The dimensions of the central supporting rod and ceiling rose are not included in the height measurements.  
The standard rod and ceiling rose is 50cm (20") high if not otherwise specified by the customer.