

BELLA FIGURA

Halo Pendant

CL390

Collection Name

CONTOUR COLLECTION

The Halo pendant is the perfect collaboration of supremely hand-crafted, Italian metalwork and English blown glass. Hundreds of bubbles are frozen into this glass sphere using the traditional Murano technique 'pulegoso' which is then wreathed by two radiant rings, one smooth and one hammered to perfectly frame this glowing ball of refracting rays. This unique pendant is beautifully complemented by our Halo wall light.



CL390 in Antique Gold Inner Ring Hammered and Outer Smooth with Clear Bubbled Glass Sphere

Available Finishes

Glass Colour



Clear Bubbled Glass

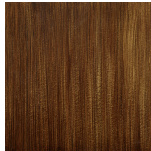
Metal Finishes



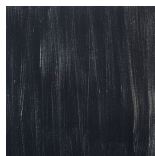
Antique Gold



Antique Silver



Decorated Bronze



Lead

Available Sizes

One Size

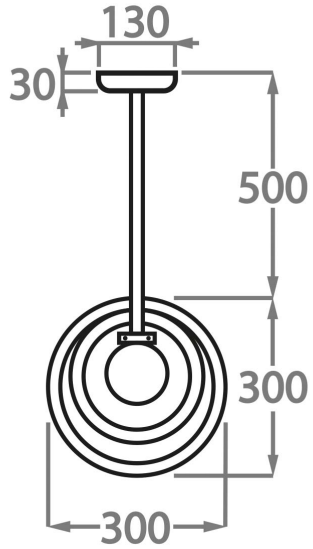
CL390,

Height: 30 cm (11.81")

Diameter: 30 cm (11.81")

1 x 40W E14

Max Watt and Lamps: 40W x 1



The dimensions of the central supporting rod and ceiling rose are not included in the height measurements
The standard rod and ceiling rose is 50cm (20") high if not otherwise specified by the customer.