

BELLA FIGURA

Magnetar Chandelier

CL807

Collection Name
VEGA COLLECTION

Vega's most daring design, the Magnetar ceiling light is the consequence of the discovery of a neutron star of the same name, a star which possess' powerful magnetic fields. The hand moulded glass fins visually represent the pulsating radio bursts emitted by this star. Unlike anything Bella Figura has ever created, this sculptural light conceals an integrated LED light source which emanates an ethereal glow from within.



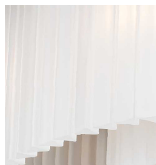
CL807 in Satin Glass and Brushed Dark Bronze

Available Finishes

Glass Finish



Clear



Satin

Metal Finish



Brushed Dark
Bronze



Brushed Gold



Brushed Nickel

Available Sizes

Size One

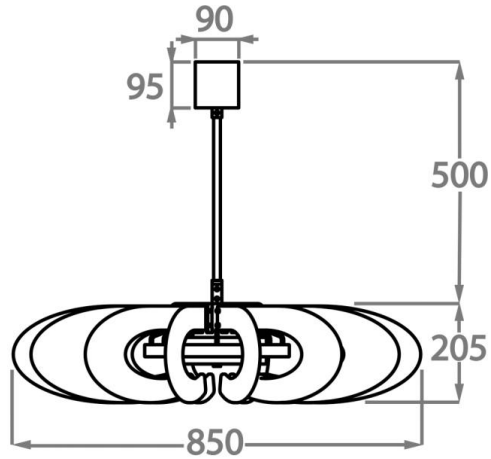
CL807,

Diameter: 85 cm (33.46")

LED Strip

Available in 2700K or 5500K

Net Weight: 23 kg / 51 lb



The dimensions of the central supporting rod and ceiling rose are not included in the height measurements.
The standard rod and ceiling rose is 50cm (20") high if not otherwise specified by the customer.

Please Note: Our chandeliers are not supplied with ceiling hooks. The ceiling rose, chain and rod specification will differ dependent on the weight of the chandelier. A qualified electrician must assess your ceiling structure and advise on the right fitting.