

Mondrian Chandelier

CL59

Collection Name

HALCYON COLLECTION

"I wish to approach truth as closely as is possible, and therefore I abstract everything until I arrive at the fundamental quality of objects" - Piet Mondrian
Mondrian's Pier and Ocean series describes a gradual abstraction of a waterfront scene, simplifying oblique and indistinct details into parallel, rhythmic lines, which describe the pulse of the ocean. Our Mondrian family is heavily influenced by this astute observation of the underlying patterns in nature and the unending movement of water, drawing on these qualities of order and balance to create these sculptured pieces

Test Certification

UL (Underwriters Laboratories) test certificates available for the USA - will incur a surcharge
IEC (International Electrotechnical Commission) test certificates available - will incur a surcharge



CL59 in hammered antique gold leaf with shade in dupion 5018W/553

Available Finishes

Metal Finishes



Antique Gold



Antique Gold Leaf



Antique Silver



Antique Silver Leaf

Available Sizes

Size One

CL59-75,

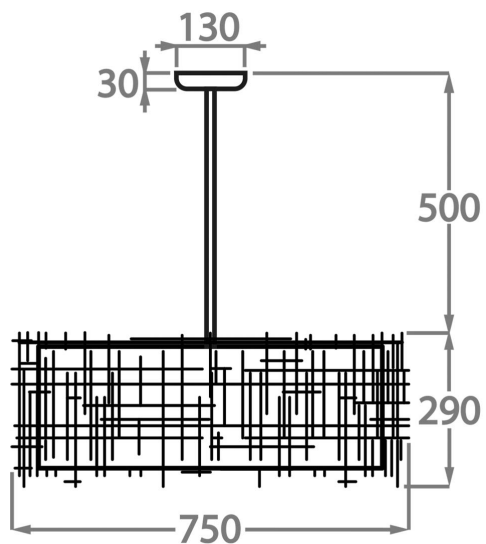
Height: 29 cm (11.42")

Diameter: 75 cm (29.53")

6 x 40W E27

Max Watt and Lamps: 40W x 6

Net Weight: 11 kg / 24 lb



The dimensions of the central supporting rod and ceiling rose are not included in the height measurements.

The standard rod and ceiling rose is 50cm (20") high if not otherwise specified by the customer.