

BELLA FIGURA

Nilssen Lamp

TL212

Collection Name

MOONLIGHT COLLECTION

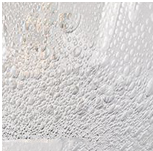
Although this series of designs has totally evolved, the roots of the design are centred around the work of silversmith Wiwen Nilssen. Considering the corners and facets of his tableware creations, we have softened the geometry of Nilssen's iconic design language and arrived at these stacking glass elements, infusing their cores with richly bubbled detailing which glitter brilliantly when illuminated.



TL212 Nilssen in Brushed Nickel with a 12" Oval Shade in James Hare 31519/09

Available Finishes

Glass Finish



Bubble

Metal Finish



Brushed Gold



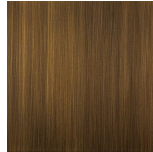
Brushed Nickel



Polished Gold



Polished Nickel

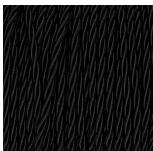


Antique
Brushed Brass

Recommended Shade(s) (OPTIONAL)

12" Oval

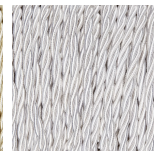
Silk Flex



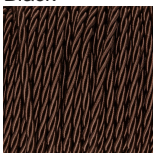
Black



Cream



Silver



Brown

Available Sizes

One Size Only

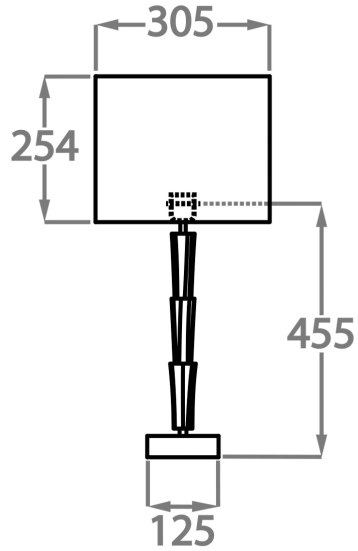
TL212,

Height: 60.5 cm (23.82")

Width: 12.5 cm (4.92")

Bulbs: 1 x 40W E27

Cable Exit: Bottom



Dimensions are measured from the base of the lamp to the middle of the bulb holder and are excluding shade

Shades can also be made with Customer Own Material (COM)

Overall height with an