

BELLA FIGURA

Nilssen Lamp

TL212

Collection Name

MOONLIGHT COLLECTION

Although this series of designs has totally evolved, the roots of the design are centred around the work of silversmith Wiwen Nilssen. Considering the corners and facets of his tableware creations, we have softened the geometry of Nilssen's iconic design language and arrived at these stacking glass elements, infusing their cores with richly bubbled detailing which glitter brilliantly when illuminated.



TL212 Nilssen in Brushed Gold with a 12" Oval Shade in 1806W/ 120

Available Finishes

Glass Finish



Bubble

Metal Finish



Brushed Gold



Brushed Nickel



Polished Gold



Polished Nickel



Brushed Dark
Bronze

Recommended Shade(s) (OPTIONAL)

12" Oval

Silk Flex



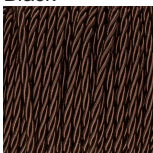
Black



Cream



Silver



Brown

Available Sizes

One Size Only

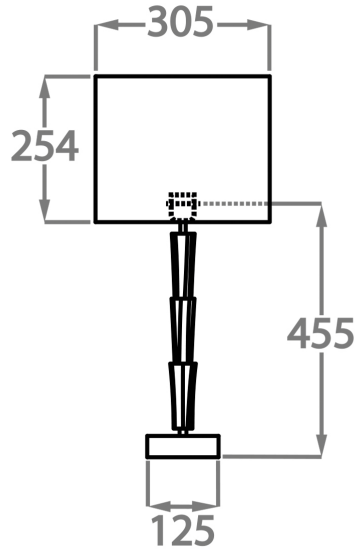
TL212,

Height: 60.5 cm (23.82")

Width: 12.5 cm (4.92")

Bulbs: 1 x 40W E27

Cable Exit: Bottom



Dimensions are measured from the base of the lamp to the middle of the bulb holder and are excluding shade

Shades can also be made with Customer Own Material (COM)

Overall height with 12" oval shade is 60.5cm approx.