

BELLA FIGURA

Optic Lamp

TL825

Collection Name
VEGA COLLECTION

Named in reference to the starburst rays of light which crown stars in astrophotography, the birds eye view of our Optic table lamp reveals a superb structure which visually represents these light optics. Viewed from the side the visual concept which inspired this design is totally disguised, but this new dimension offers a totally unique play on the original inspiration and gives a transitional look as the ceramic fins carve out a traditional shape in an ultra-modern style. A triumph of this collection, the Optic table lamp makes a convincing entrance to our collection in three statement looks; Chalk, Jasper and Oil.

Required modifications for use on yachts - lacquer applied to all metal components, "sea rod" through centre to secure base to surfaces, with the cable exit through bottom of the base.



TL825 in Jasper and Polished Nickel with 14" Tall Drum Shade in Bennett's Dupion Silk Hint of Pink 5018/50X

Compatible with



Yacht Club

Available Finishes

Ceramic Finish



Chalk

Jasper

Oil

Neck and Bulb Holder



Bronze

Old English
Brass

Polished Brass

Recommended Shade(s) (OPTIONAL)



14" Tall Drum



Polished Nickel

Silk Flex



Black



Cream



Brown



Silver

Available Sizes

Size One

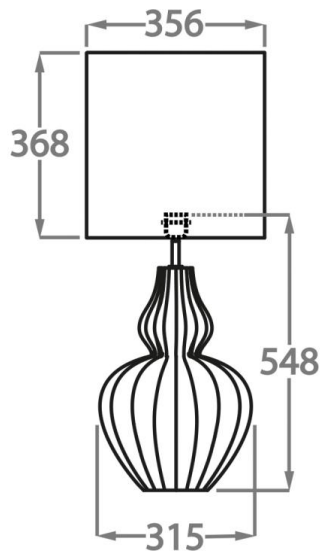
TL825,

Height: 54.8 cm (21.57")

Diameter: 31.5 cm (12.4")

Bulbs: 1 x 40W E27

Cable Exit: Bottom



Dimensions are measured from the base of the lamp to the middle of the bulb holder and are excluding shade.
Overall height with recommended 14" tall drum shade is 87.8cm - 35.6"