

BELLA FIGURA

Perle Chandelier

CL61

Collection Name

HALCYON COLLECTION

A cache of sixty-two pearlescent plates form this glowing crown of ultimate beauty and grandeur, each with a gold or silver bead nestled into its centre and a frosted glass diffuser to ensure elegance from every angle. The alabaster glass featured in this sophisticated chandelier is evocative of the natural nacre of the pearl oyster's deep-sea treasure trove and emits an empyreal radiance when lit

Test Certification

IEC (International Electrotechnical Commission) test certificates available - will incur a surcharge
UL (Underwriters Laboratories) test certificates available for the USA - will incur a surcharge

Compatible with



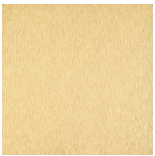
Bathroom



CL61-SM in Alabaster Glass and Brushed Gold

Available Finishes

Metal Finish



Brushed Gold



Brushed Nickel



Brushed Dark
Bronze

Murano Glass Finish

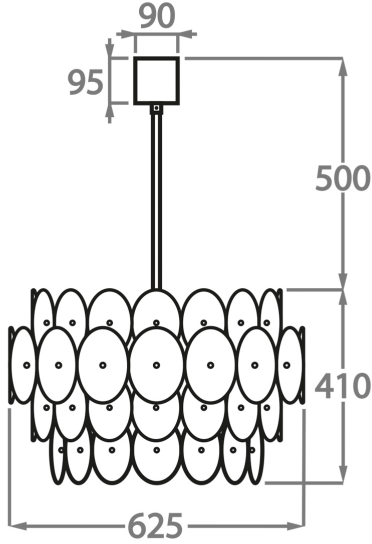


Alabaster

Available Sizes

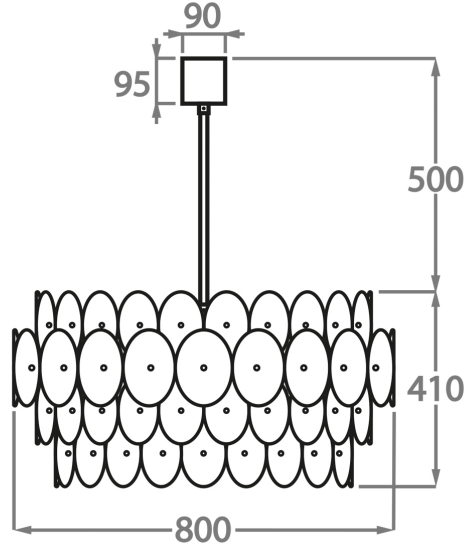
Small

CL61-SM,
Height: 41 cm (16.14")
Diameter: 62.5 cm (24.61")
Bulbs: 9 x LED 5W G9 LED
Net Weight: 25 kg / 55 lb



Large

CL61-LA,
Height: 41 cm (16.14")
Diameter: 80 cm (31.5")
Bulbs: 14 x LED 5W G9 LED
Net Weight: 40 kg / 88 lb



The dimensions of the central supporting rod and ceiling rose are not included in the height measurements
The standard rod and ceiling rose is 50cm (20") high if not otherwise specified by the customer