

BELLA FIGURA

Venus Lamp

TL814

Collection Name
VEGA COLLECTION

Goddess of love and beauty, Venus encompasses femininity and will bring a graceful presence to your interior setting. This refined sculpture is honed from solid Italian glass and embellished with brass fixings. We offer Venus in clear glass for a gentler aura or a satin finish which echoes the glowing presence of her namesake planet, the brightest object in our night sky beyond the Moon, a true object of desire.



TL814 in Clear Glass and Polished Brass with 9" Tall Drum Shade in James Hare Shagreen Coral 31537-24

Available Finishes

Glass Colour



Clear



Frosted

Neck and Bulb Holder

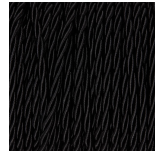


Polished Brass



Polished Nickel

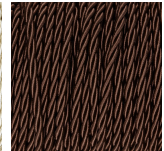
Silk Flex Choice



Black



Cream



Brown



Silver

Available Sizes

Size One

TL814,

Height: 28.5 cm (11.22")

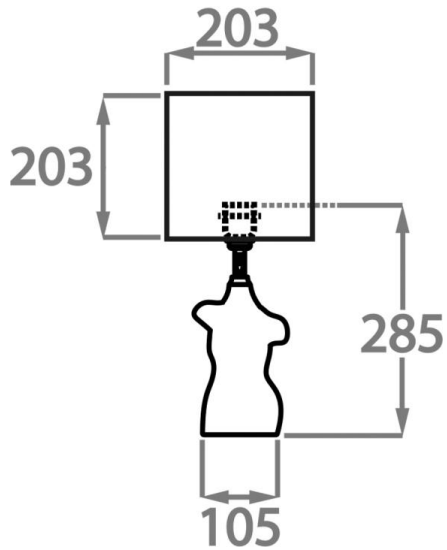
Width: 13 cm (5.12")

Depth: 8.5 cm (3.35")

1 x 40W E27

Max Watt and Lamps: 40W x 1

Cable Exit: Top



Dimensions are measured from the base of the lamp to the middle of the bulb holder and are excluding shade.
The overall height including the recommended 9" tall drum shade is 47.5cm - 18.7"