

# BELLA FIGURA

## Venus Lamp

TL814E

Collection Name  
**VEGA COLLECTION**

Goddess of love and beauty, Venus encompasses femininity and will bring a graceful presence to your interior setting. This refined sculpture is honed from solid Italian glass and embellished with brass fixings. We offer Venus in clear glass for a gentler aura or a satin finish which echoes the glowing presence of her namesake planet, the brightest object in our night sky beyond the Moon, a true object of desire.

### Compatible with



Express



TL814 in Frosted Glass and Polished Brass with 9" Tall Drum Shade in Bennett's 1806/306

### Available Finishes

#### Glass Finish



Clear



Frosted

#### Neck and Bulb Holder



Polished Brass



Polished Nickel

#### Recommended Shade(s) (OPTIONAL)

9" Tall Drum

#### Silk Flex



Black



Cream



Brown



Silver

## Available Sizes

---

### Size One

TL814,

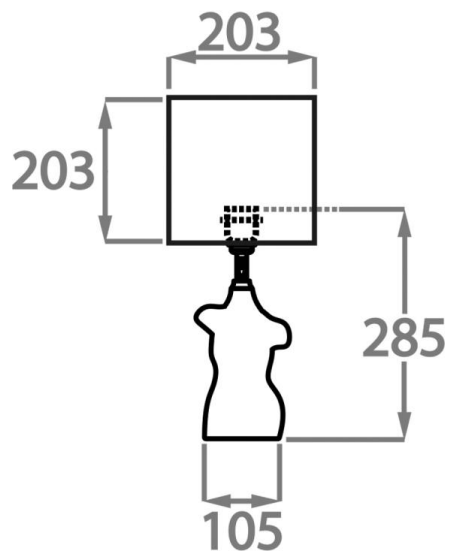
Height: 28.5 cm (11.22")

Width: 13 cm (5.12")

Depth: 8.5 cm (3.35")

Bulbs: 1 x 40W E27

Cable Exit: Top



Dimensions are measured from the base of the lamp to the middle of the bulb holder and are excluding shade.

The overall height including the recommended 9" tall drum shade is 47.5cm - 18.7"